

WIND TURBINE LIGHTS

MEDIUM INTENSITY L864-LXS-OREI-W



According to OREI SAR guidance rule, aviation warning lights must be provided for OREI (Offshore Renewable Energy Installations) so that safe SAR (Search and Rescue) operations can be conducted at night or in poor visibility conditions.

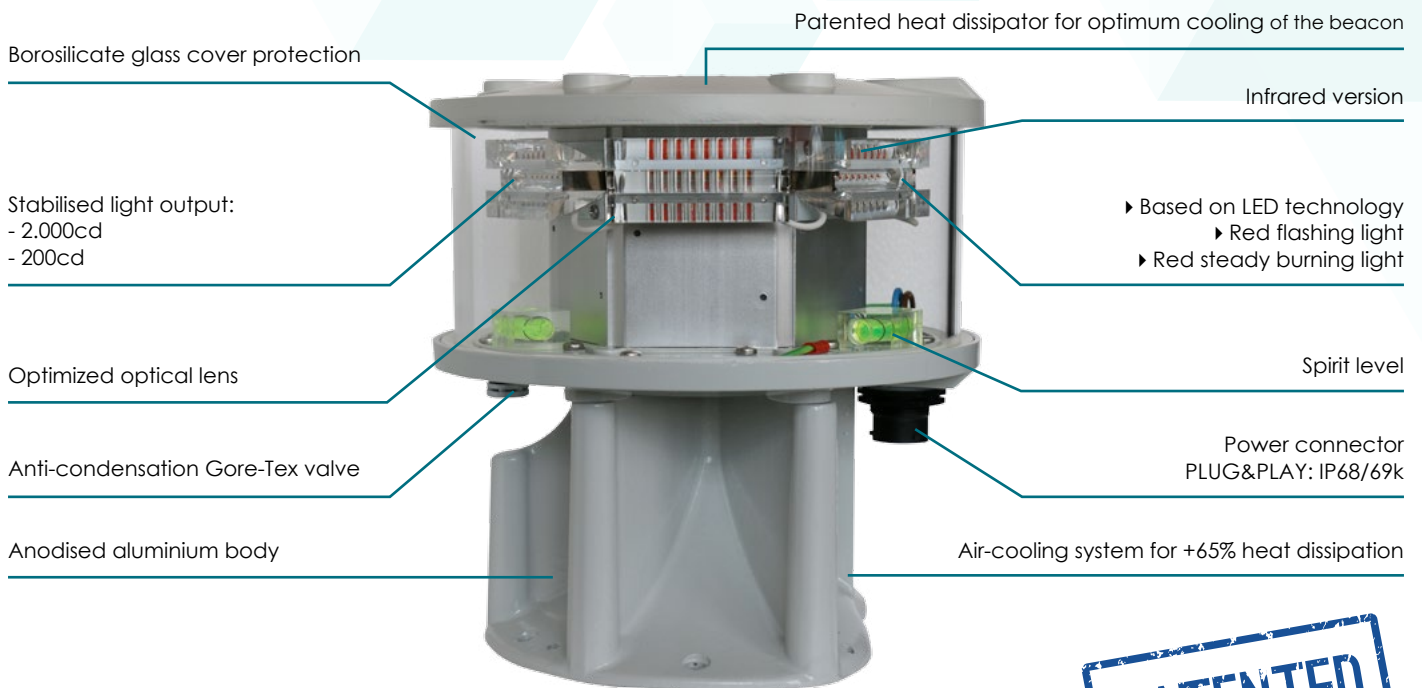
Medium intensity L864-LXS-OREI-W emits red light 2.000cd flashing in Morse Code "W" and its intensity can be adjusted to not less than 200cd in steady burning mode as per requirements.

Medium intensity L864-LXS-OREI-W lights must be fitted on boundary turbines of a wind farm.



WIND TURBINE LIGHTS

L864-LXS-OREI-W



IP66



Medium Intensity Obstruction Light OREI-W is **according to OREI SAR requirements rule** (Offshore Renewable Energy Installations: requirements, guidance and operational considerations for Search And Rescue and Emergency Response).

With a compact body, high quality and ultra-bright LEDs, customized lenses and patented shape for optimum light emission and beacon cooling LUXSOLAR L864-LXS-OREI-W product is the most up-to-dated and technologically advanced Aircraft Warning Light suitable for Wind Turbines installation.

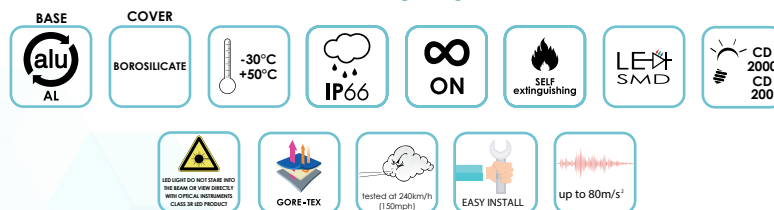
CERTIFICATION



COMPLIANCE



FEATURES



TYPICAL APPLICATION



WIND TURBINE LIGHTS

L864-LXS-OREI-W TECHNICAL SPECIFICATIONS

OPTICAL FEATURES

- Based on LED technology
- RED light 2.000cd flashing Morse Code "W"
- RED light 200cd steady burning
- Mode and intensity setting through dip switch
- Horizontal beam radiation: 360°
- Vertical beam spread: 4°
- PMMA lens
- Light output alignment device
- Infrared 850nm Wavelength

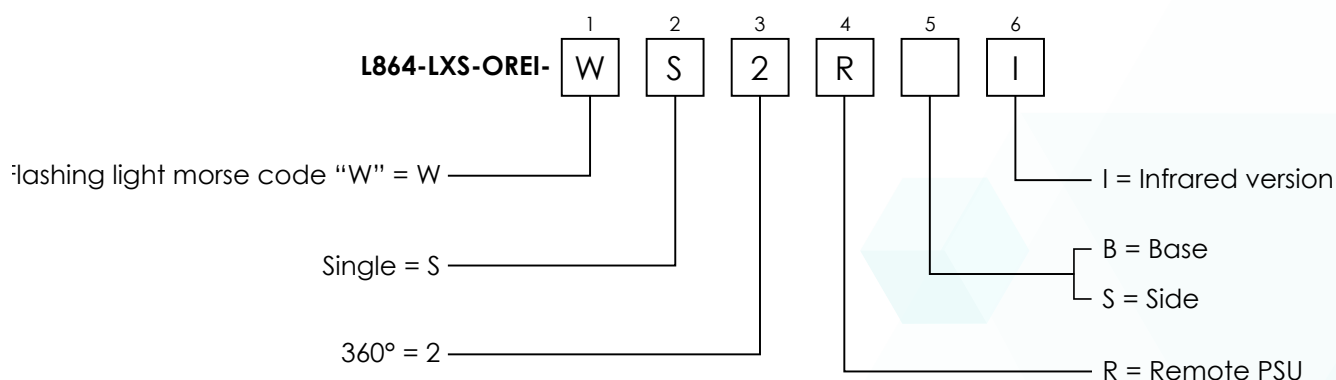
MECHANICAL FEATURES

- Anodised aluminium body, painted RAL7035
- Borosilicate glass cover protection
- Silicon rubber, VMQ
- Base wind collector and internal heat sink for optimum cooling
- Degree of protection: IP66
- Anti-condensation Gore-Tex valve
- Operating temperature: -30°C to +50°C
- Lamp unit weight: 6kg
- SS304 beacon support bracket
- Equipped with separate control box for beacon power supply

ELECTRICAL FEATURES

- Power supply by LUXSOLAR remote control panel:
 - 12/24 VDC;
 - 48 VDC;
 - 115/230VAC;
 - Other power supply range available;
- LED fed at constant current
- No RF-radiations
- Range section of connectable conductors: 0,5mm² to 2,5mm²
- Cable outer diameter range: 7mm to 14mm

ORDER CODE



APPLY TO

- Offshore wind turbines

CERTIFICATIONS

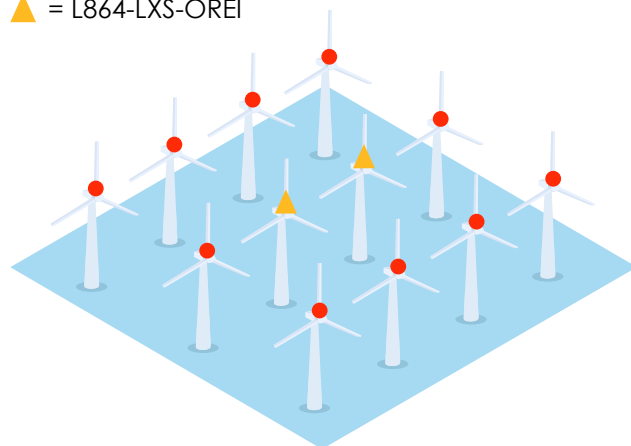
- CE marking

COMPLIANCE

- OREI (Offshore Renewable Energy Installations: requirements, guidance and operational considerations for Search And Rescue and Emergency Response)

● = L864-LXS-OREI-W

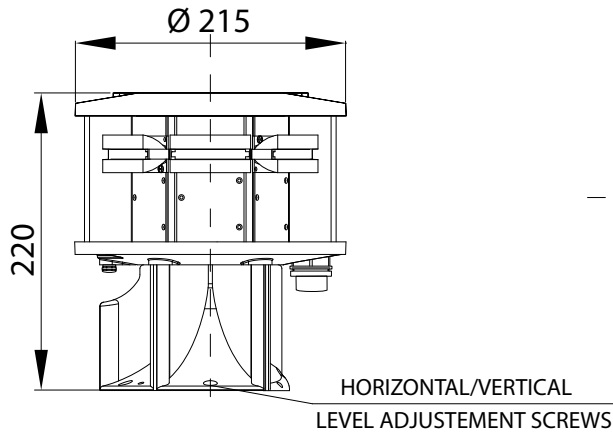
▲ = L864-LXS-OREI



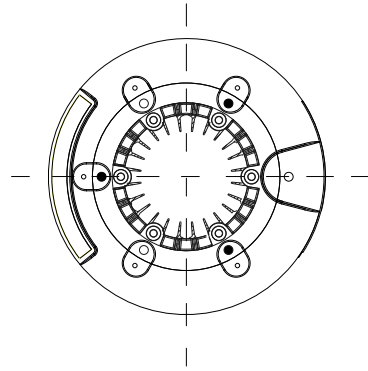
WIND TURBINE LIGHTS

L864-LXS-CAP764-OREI-W TECHNICAL SPECIFICATIONS

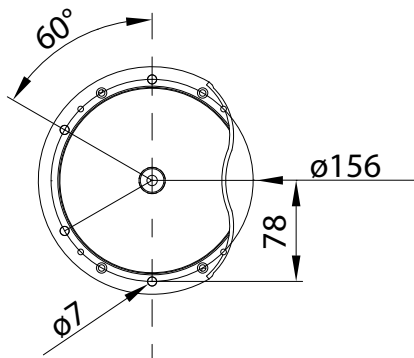
SINGLE VERSION
SIDE VIEW



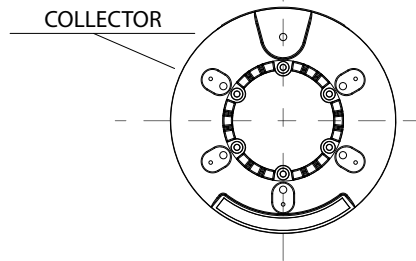
TOP VIEW



BOTTOM VIEW



BOTTOM VIEW
WITHOUT WIND
COLLECTOR



FIXING DETAILS SIDE
(not scale)

