

LIGHTHOUSE LIGHTS

WHITE LIGHTHOUSE LIGHT

SAFE AREA IP66



LIGHTHOUSE LIGHTS

WHITE LIGHTHOUSE LIGHT TECHNICAL SPECIFICATIONS

KEY FEATURES

- Based on LED technology
- Night mode, white flashing (Isophase or occulting)
- Long life time >10+ years life expectancy
- Low consumption
- Stabilised light output
- Lightweight and compact
- Low wind load factor
- Alarm/remote status control
- Easy to install
- No RF-radiations
- Light output alignment device

OPTICAL FEATURES

- Horizontal beam radiation 360°
- PMMA lens
- Luminous range for 74% (0,74T) atmospheric transmissivity

OPTIONS

- Twin version: two galvanically separated circuits in the same fixture
- Anti bird protection
- Beacon support bracket
- Power supply AC or DC
- GPS (Global Position System) syncro
- Available with solar battery system
- Available for 7nM, 10nM, 12nM, 17nM

ELECTRICAL FEATURES

- Average power consumption for isophase flashing (ISO W): 25W
- Average power consumption for occulting flashing (Oc. W): from 30W to 50W
- LED feeded at constant current
- Lightning protection

MECHANICAL FEATURES

- Anodised aluminium body with heat-sink for natural draft air cooling
- RAL7035 painted aluminium body lamp
- Bottom wind collector for central heat-sink cooling
- Borosilicate glass cover protection
- Silicon gasket
- Degree of protection: IP65
- Operating temperature: -50°C to +80°C
- Storage temp. range: -20°C to +45°C
- Lamp unit weight: 6kg

APPLY TO

- Lighthouse:
 - White light is used to identify navigational beacons (W)

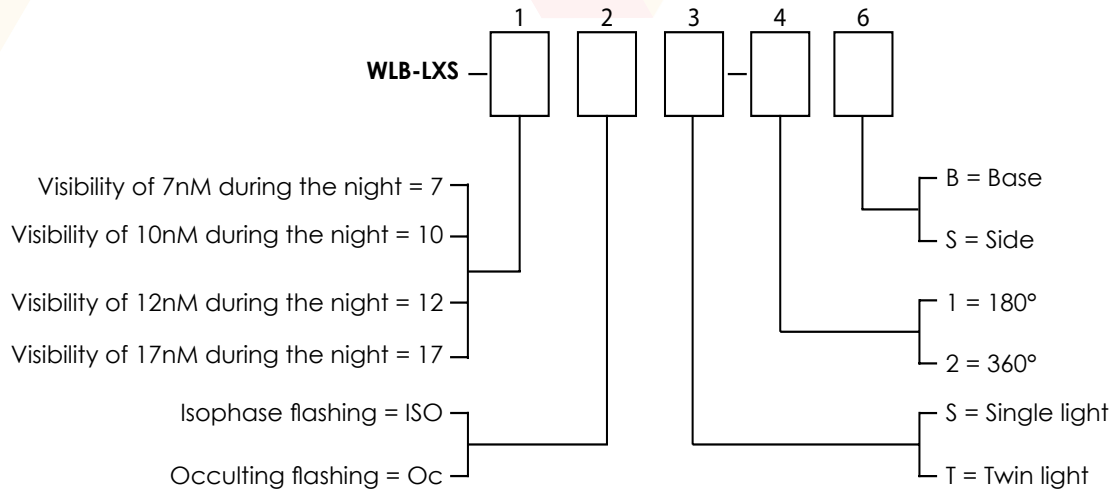
INTERNATIONAL REGULATION

- CE marking

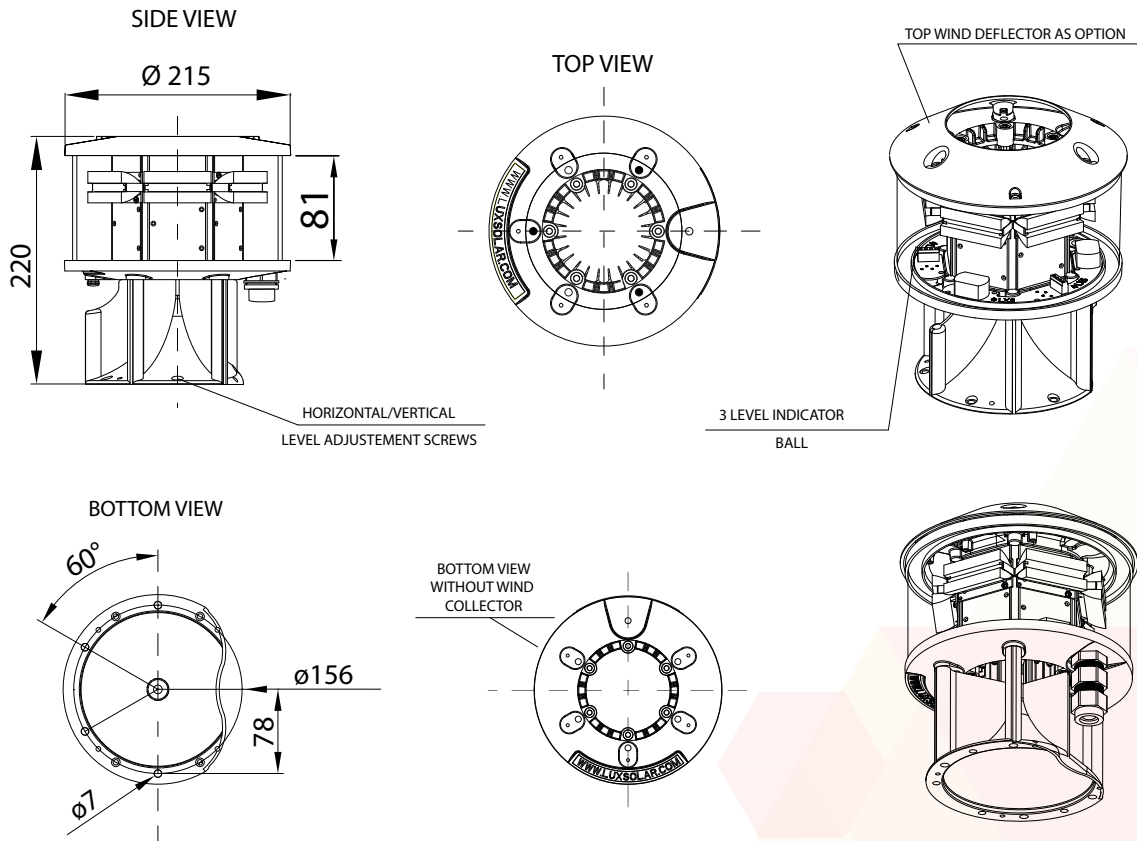
LIGHTHOUSE LIGHTS

WHITE LIGHTHOUSE LIGHT

ORDER CODE



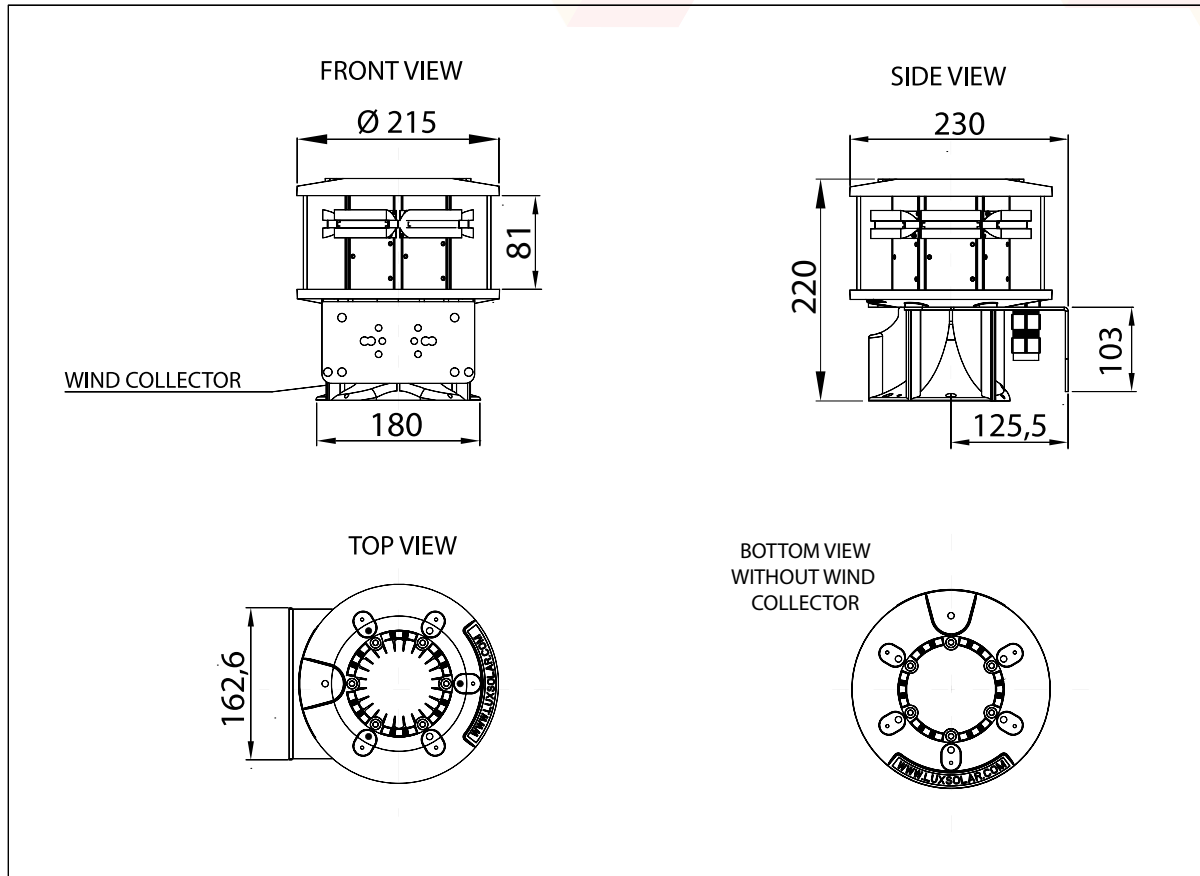
BASE APPLICATION



LIGHTHOUSE LIGHTS

WHITE LIGHTHOUSE LIGHT

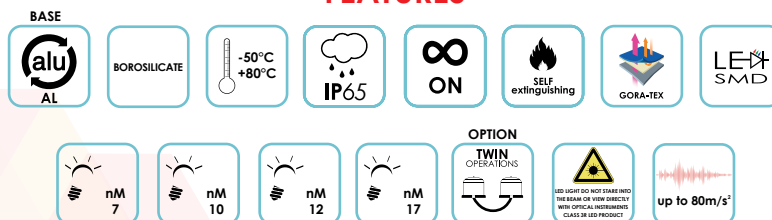
SIDE TYPE INSTALLATION



CERTIFICATIONS



FEATURES



TYPICAL APPLICATION

