

HELIPORT LIGHTS

LXS PORTABLE LIGHTING SYSTEM LXS-RESCUE



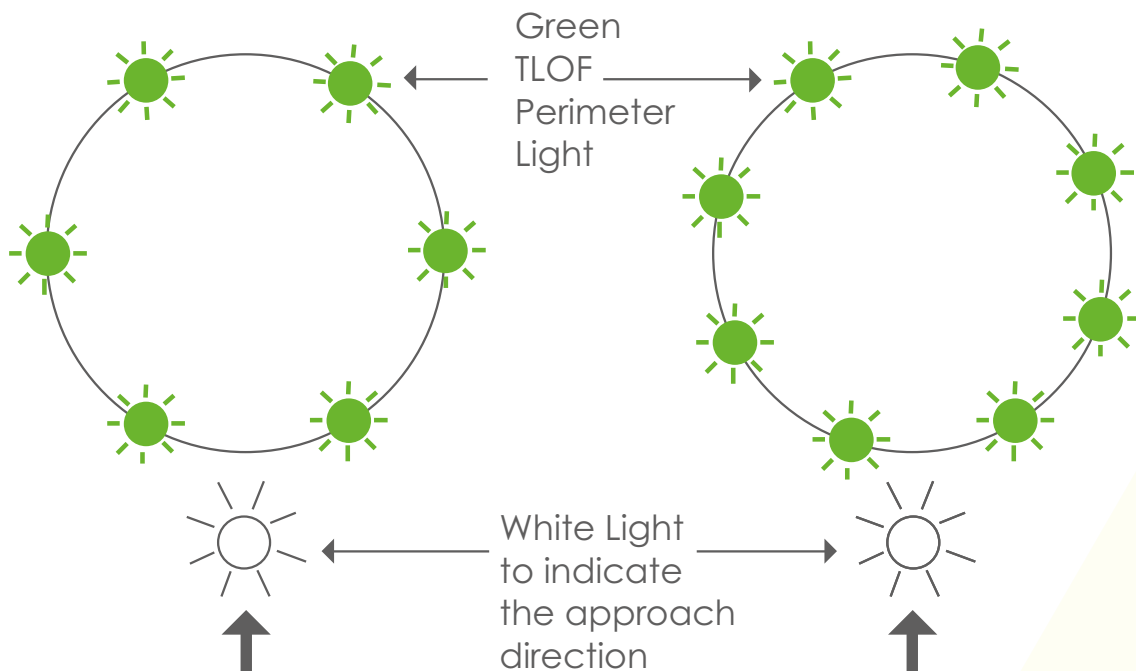
PATENTED

During **emergencies**, helipads where night operations are authorized become a crucial infrastructure. To cope with this need, Luxsolar R&D team has developed a **portable lighting system**.

Such lights create a temporary helipad perimeter landing area, allowing helicopters to operate safely.

LXS-Rescue is a versatile product: it can be used in several situations and operated by non-technical personnel, such as police force, emergency and rescue teams, highways employers, service areas employers, etc.

SUGGESTED CONFIGURATION



COMPLIANCE



FEATURES



HELIPORT LIGHTS

LXS PORTABLE LIGHTING SYSTEM TECHNICAL SPECIFICATIONS

OPTICAL FEATURES

- Horizontal beam radiation: 360°
- PC lenses
- FATO perimeter light (white)

Elevation (E)	Luminous Intensity [cd]
30°	10
20°	50
20°	100
10°	
3°	
0°	10

-180° +180°

- TLOF perimeter light (green)

Elevation (E)	Luminous Intensity [cd]
$20^\circ < E \leq$	3
$13^\circ < E \leq$	8
$10^\circ < E \leq$	15
$5^\circ < E \leq$	30
$2^\circ < E \leq 5^\circ$	15

-180° +180°

MECHANICAL FEATURES

- Light body: GRP
- NBR O-RING
- Degree of protection: IP68
- Operating temperature: -30°C to +60°C
- Light weight: 1Kg approx
- Trolley housing body: PP + Nylon
- System total weight < 20kg

ELECTRICAL FEATURES

- Light power supply: battery LI-ION
- Wireless recharging system
- Housing power supply:
115/230 Vac through dedicated cable
- Light intensity adjustable: 50% - 100%
- Autonomy: up to 100 hours
- Twilight sensor
- Switch for on/off and adjust light intensity

OPTIONS

- IR Wavelength:
850nm, compatible with pilot's NVG
- 7 lights system or 9 lights system
- Lights available in 5 colors:
 - ● Green light
 - ○ White light
 - ● Red light
 - ● Yellow light
 - ● Blue light

COMPLIANCE

- ICAO Aerodromes- Annex 14, Volume 2, Heliports
- EASA CS-HPT-DSN
- Trolley: STANAG, DEF STAN and NATO approved

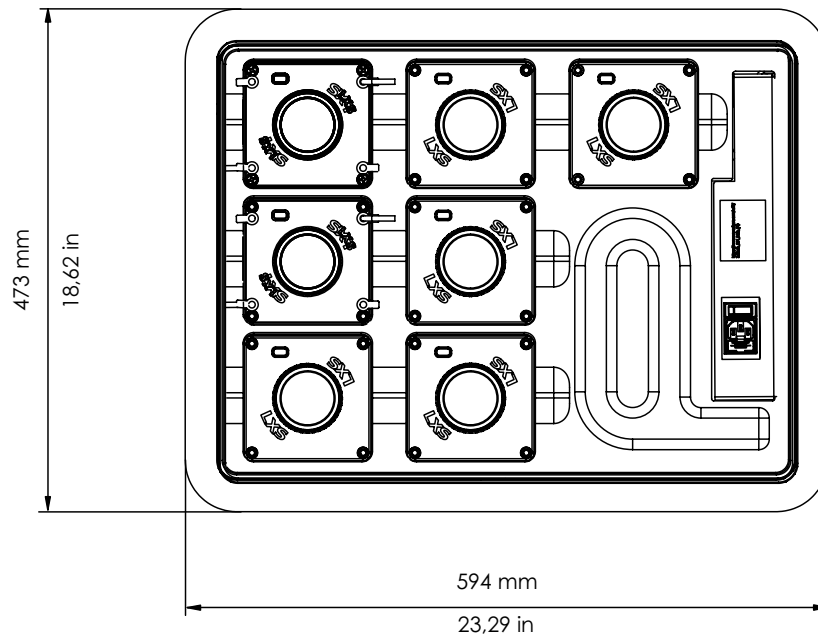
PART NUMBER

LXS-RESCUE

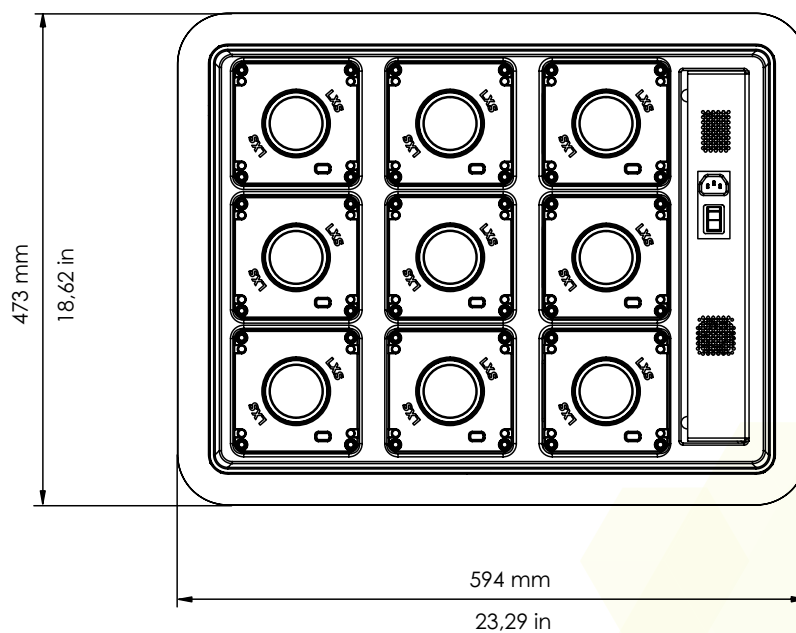
HELIPORT LIGHTS

LXS PORTABLE LIGHTING SYSTEM TECHNICAL DRAWING

7 LIGHTS VERSION



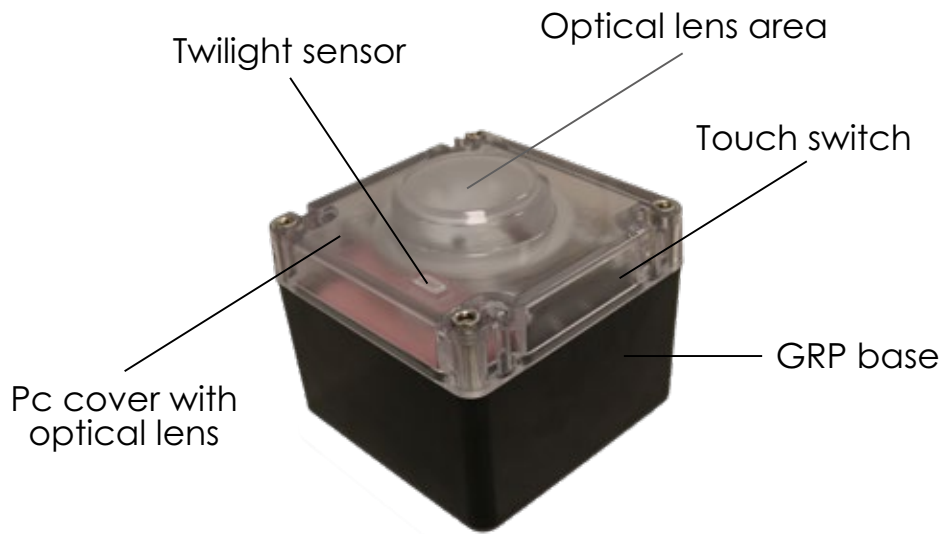
9 LIGHTS VERSION



HELIPORT LIGHTS

LXS PORTABLE LIGHTING SYSTEM TECHNICAL DRAWING

SINGLE LIGHTING ELEMENT



TROLLEY

