

15nM WHITE LIGHT NIGHT MODE

SAFE AREA IP66



MARINE NAVIGATION AIDS

15nM WHITE LIGHT NIGHT MODE TECHNICAL SPECIFICATIONS

KEY FEATURES

- Based on LED technology
- 15nM (nautical mile) night mode, white flashing (Morse Letter "U")
- Long life time >10 years life expectancy
- Low consumption
- Stabilised light output
- Lightweight and compact
- Low wind load factor
- Alarm/remote status control
- Easy to install
- No RF-radiations
- Light output alignment device
- Patented beacon (EU 001929910-0001; Canada 145 189; USA D673,474)

OPTICAL FEATURES

- Horizontal beam radiation 360°
- Vertical beam spread >2,5°
- PMMA lens

OPTIONS

- Power supply AC or DC

ELECTRICAL FEATURES

- Power supply for external control
- Average power consumption for night mode: 18W
- LED feeded at constant current
- Lightning protection inside controller

MECHANICAL FEATURES

- Anodised aluminium body with heat-sink for natural draft air cooling
- RAL7035 painted aluminium body lamp
- Bottom wind collector for central heat-sink cooling
- Borosilicate glass cover protection
- Silicon gasket
- Degree of protection: IP65
- Operating temperature: -50°C to +80°C
- Storage temp. range: -20°C to +45°C
- Lamp unit weight: 6kg

APPLY TO

- Offshore structures classified as safe areas
- Isolated wind turbine, beacon is located at not less than 6m and not more than 30m above Highest Astronomical Tide (HAT)
- Meteorological mast
- Other individual structure
- Used as main light to ensure that at least one light is visible upon approaching the structure from any direction

INTERNATIONAL REGULATION

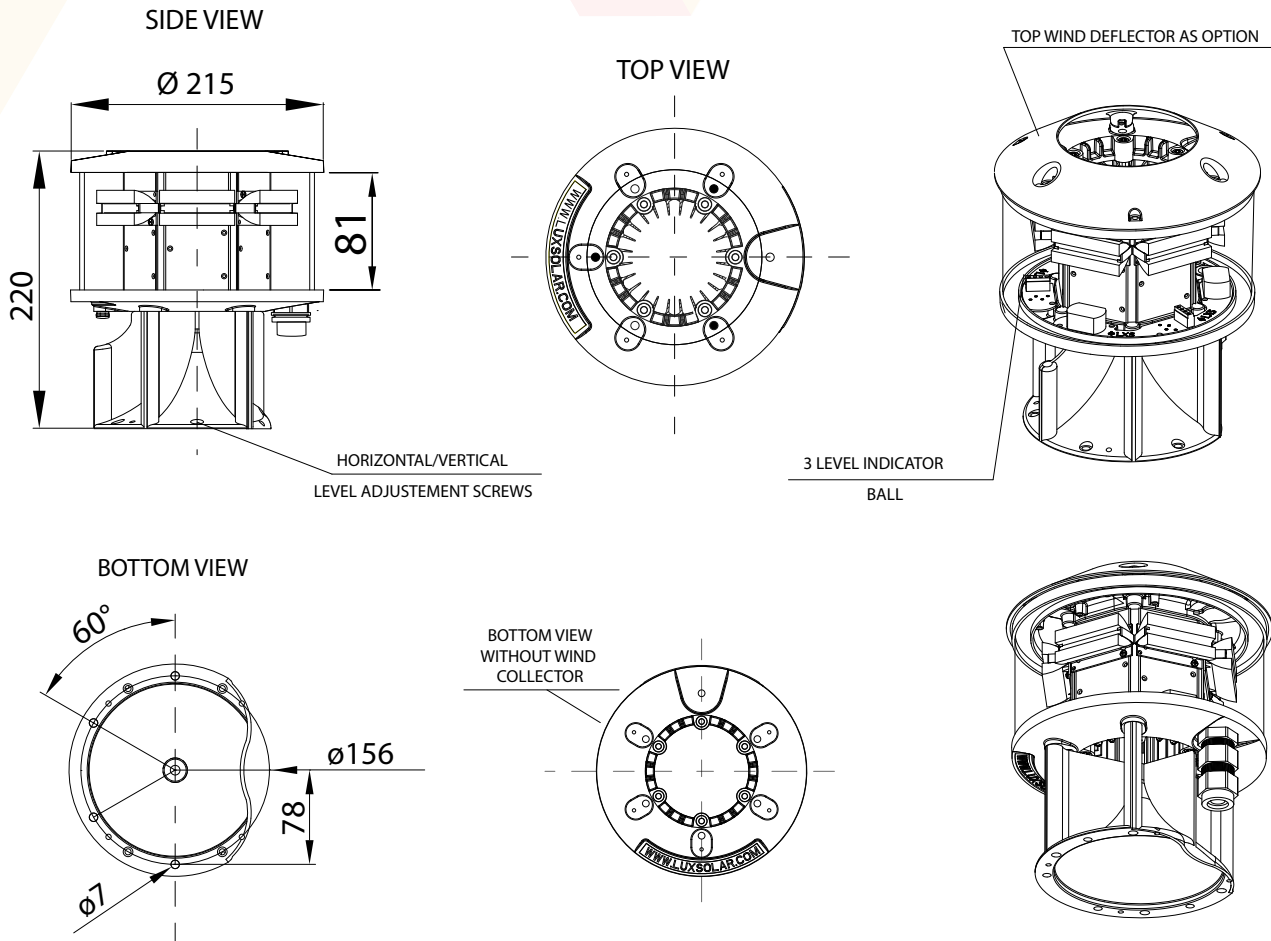
- Standard marking schedule for offshore installations, Dec 04/11
- CE marking

PART NUMBER

- Part number:
 - ▶ **MNL-LXS-15nM-230VAC**
 - ▶ **MNL-LXS-15nM-24VDC**

MARINE NAVIGATION AIDS

15nM WHITE LIGHT NIGHT MODE



CERTIFICATIONS



FEATURES



TYPICAL APPLICATION

